



# TURBOFARMER HD

## TF65.9



**MERLO**

**PERFORMANCE AND FEATURES**
**TF65.9T-170-HF**
**TF65.9TCS-170-HF**
**TF65.9TCS-170-CVT-HF**
**PERFORMANCE**

Total unladen weight (kg)	11000	11200	11250
Maximum capacity (kg)	6500	6500	6500
Lifting height (m)	8,8	8,8	8,8
Maximum reach (m)	4,7	4,7	4,7
Maximum operating height (m)	7 (8,4 ○)	7 (8,4 ○)	7 (8,4 ○)
Maximum operating reach (m)	1,5	1,5	1,5
Capacity at maximum height (kg)	4500 (5500 ○)	4500 (5500 ○)	4500 (5500 ○)
Capacity at maximum reach (kg)	2000	2000	2000
Lateral boom movement (mm)	-	-	-
Tilting correction (%)	+/-8	+/-8	+/-8
Boom sections	2	2	2

**POWERTRAIN**

Turbo motor	FPT NEF45	FPT NEF45	FPT NEF45
Displacement/cylinders	4500/4	4500/4	4500/4
Engine Power (kW/HP)	125/170	125/170	125/170
Anti-pollution technology	STAGE V, SCR+DOC+DPF	STAGE V, SCR+DOC+DPF	STAGE V, SCR+DOC+DPF
Reversible fan	-	-	-
Maximum speed (km/h)	40	40	40
Fuel tank (l)	140	140	140
AdBlue tank (l)	18	18	18
Hydrostatic transmission	● - 2V	● - 2V	CVTronic
EPD	Top	Top	Top
Axles	Axial	Axial	Axial
Reduction hub	Epicyclic	Epicyclic	Epicyclic
Machine brakes	Dry disc	Dry disc	Dry disc
Automatic parking brake	●	●	●

**HYDRAULIC**

Hydraulic pump	HF*	HF*	HF*
Flow rate/pressure (l/min – bar)	160 - 250	160 - 250	160 - 250
Hydraulic tank	100	100	100
Hydraulic outlet at the top of the boom	●	●	●
Rear hydraulic outlets	○	○	○

**CAB**

Cab configuration	Premium	Premium	Premium
ASCS Adaptive Stability Control System	Complet	Complet	Complet
FOPS LIV II cab	●	●	●
ROPS cab	●	●	●
Cab commands	Electronic joystick	Electronic joystick	Electronic joystick
Tilting Cab	-	-	-
Reverse shuttle	Dual reverse	Dual reverse	Dual reverse

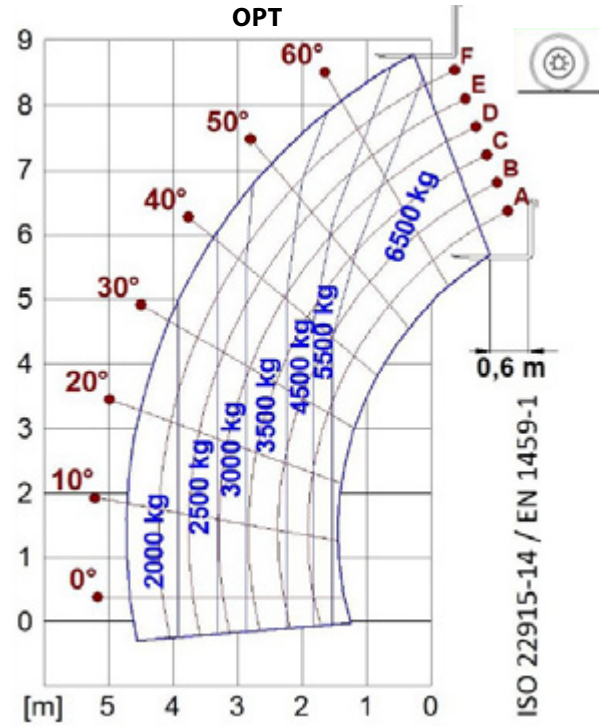
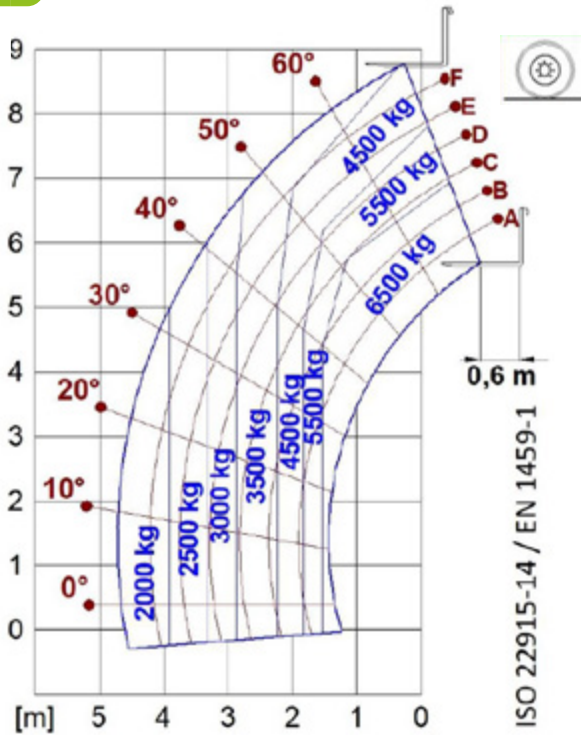
**CONFIGURATION**

Cab suspension	-	●	●
Boom suspension	○	○	○
Suspension on axles	-	-	-
Work headlights on cab	●	●	●
Sun blind	●	●	●
Tac-lock	●	●	●
Provision for a platform	○	○	○
Two floating forks	●	●	●
Inching-Control	●	●	●
Four-wheel drive	●	●	●
Four-wheel steering	●	●	●
Three steering modes	●	●	●
Standard tyres	500/70-R24	500/70-R24	500/70-R24
Optional tyres	500/70-24; 600/55-26.5	500/70-24; 600/55-26.5	500/70-24; 600/55-26.5
Stabilisers	-	-	-
Turret rotation	-	-	-
Type approval as an agricultural tractor	○	○	○
Approval with PNEUMATIC braking	○	○	○
Approval with HYDRAULIC braking	○	○	○
PTO	-	-	-
3-point linkage	-	-	-

\*LS + FS + oversized distributor

- Not Available. ● standard. ○ optional.

## LOAD CHARTS

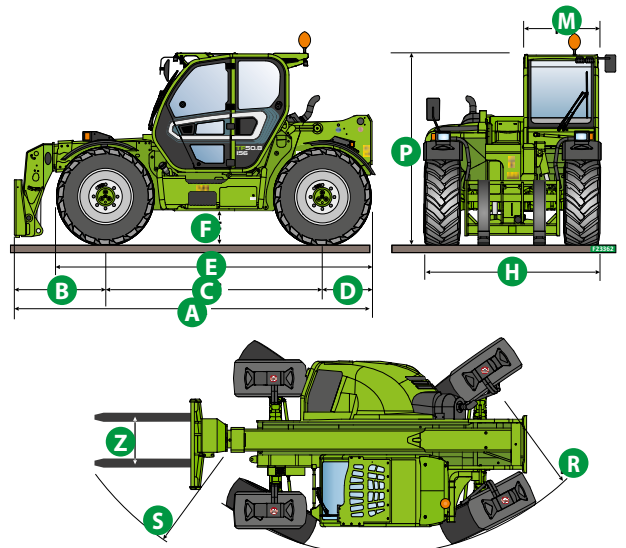


17.5-25 22PR MITAS EM-20  
17.5-25 22PR MITAS EM-60  
17.5 R25 XMIINE D2 PRO L5 TL MICHELIN  
14.00-24/8.5 BRAWLER HPS SOLIDFLEX

TF65.9

## DIMENSIONS

	TF65.9		
A (mm)	5260		
B (mm)	1270		
C (mm)	3050		
D (mm)	940		
E (mm)	4660		
F (mm)	440		
H (mm)	2400		
M (mm)	1010		
P (mm)	2510		
R (mm)	4560		
S (mm)	5325		
Z (mm)	850		





**MERLO S.P.A.**

Via Nazionale, 9  
12010 S. Defendente di Cervasca  
(Cuneo) Italia

Tel. +39 0171 614111

Fax +39 0171 684101

[info@merlo.com](mailto:info@merlo.com)

[www.merlo.com](http://www.merlo.com)

**Your Merlo dealer**

DS\_TF659\_0920\_ENG